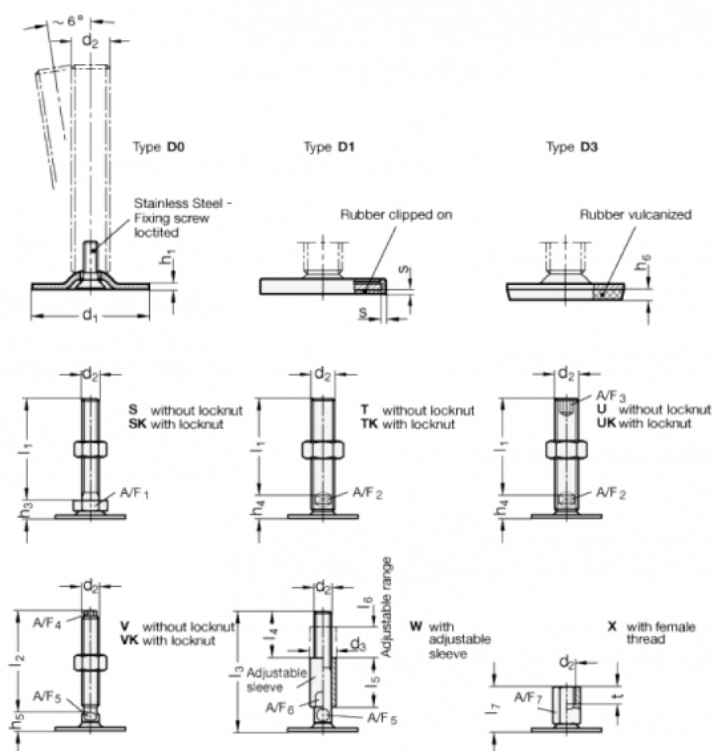


Article number: 204150M16200D0U

Description: E+G levelling foot
GN 41-50-M16-200-D0-U

Note: U Without nut, Hexagon socket at the top, Wrench flat at the bottom

Measures



$$A/F2 = 12$$

s =

$$A/F3 = 8$$

$$d1 = 50$$

$$d2 = M16$$

$$h1 = 2.5$$

$$h4 = 17$$

$$h6 =$$

$$l1 = 200$$